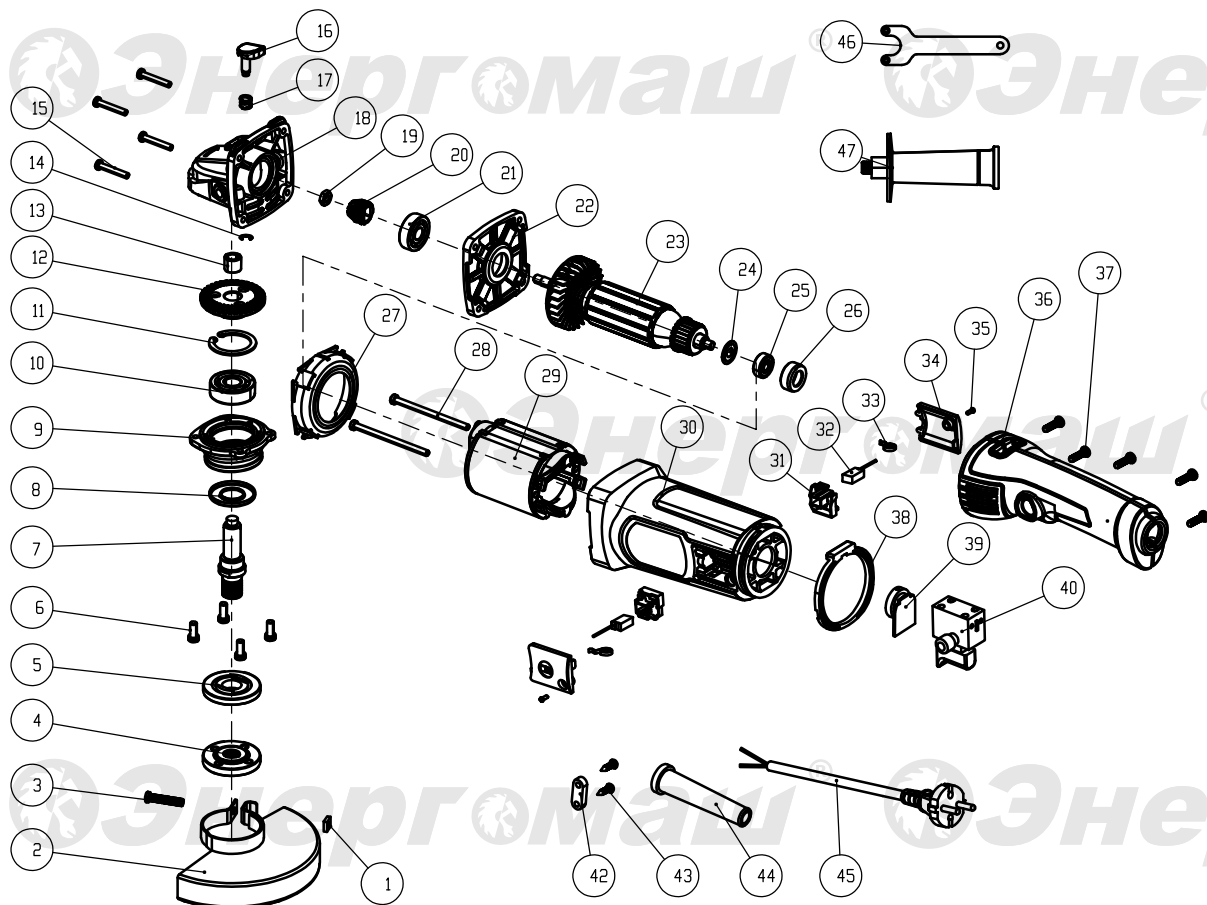


## УШМ-125ДРР



NO	DESCRIPTION	NO	DESCRIPTION
1	NUT M5	24	RING
2	WHEEL GUARD	25	BEARING 607RS
3	M5X25 SCREW	26	BEARING BUSH
4	UP PLATE	27	FAN RING
5	DOWN PLATE	28	SCREW ST4X65
6	SCREW M4X14	29	STATOR
7	OUTPUT SHAFT	30	HOUSING
8	DUST COVER	31	BRUSH HOLDER
9	FRONT COVER	32	CARBON BRUSH
10	BEARING 6021	33	COIL SPRING
11	RING $\Phi$ 32	34	BASE COVER
12	BIG GEAR	35	SCREW
13	BUSH BEARING	36	HANDLE
14	RING $\Phi$ 12	37	SCREW
15	SCREW	38	FIX HOLDER
16	SELF-LOCK	39	ADJUST PCB
17	SPRING	40	SWITCH
18	GEARBOX	42	PRESSING PLATE
19	NUT	43	SCREW
20	PINION	44	PROTECT SLEEVE
21	BEARING629	45	CABLE
22	MIDDLE COVER	46	WRENCH
23	ROTOR	47	SIDE HANDLE

USM-125DRR -EX-RU240903-1